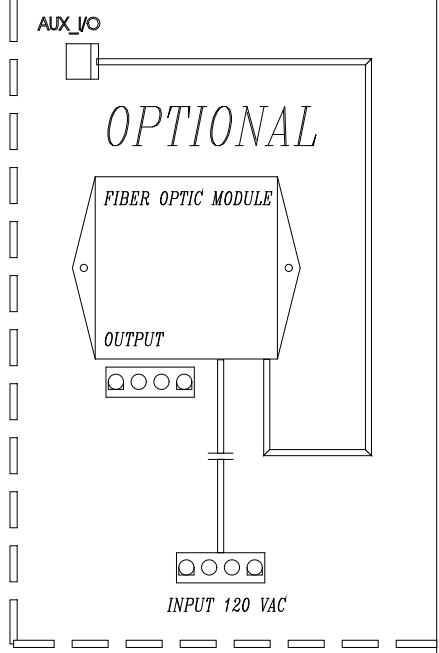
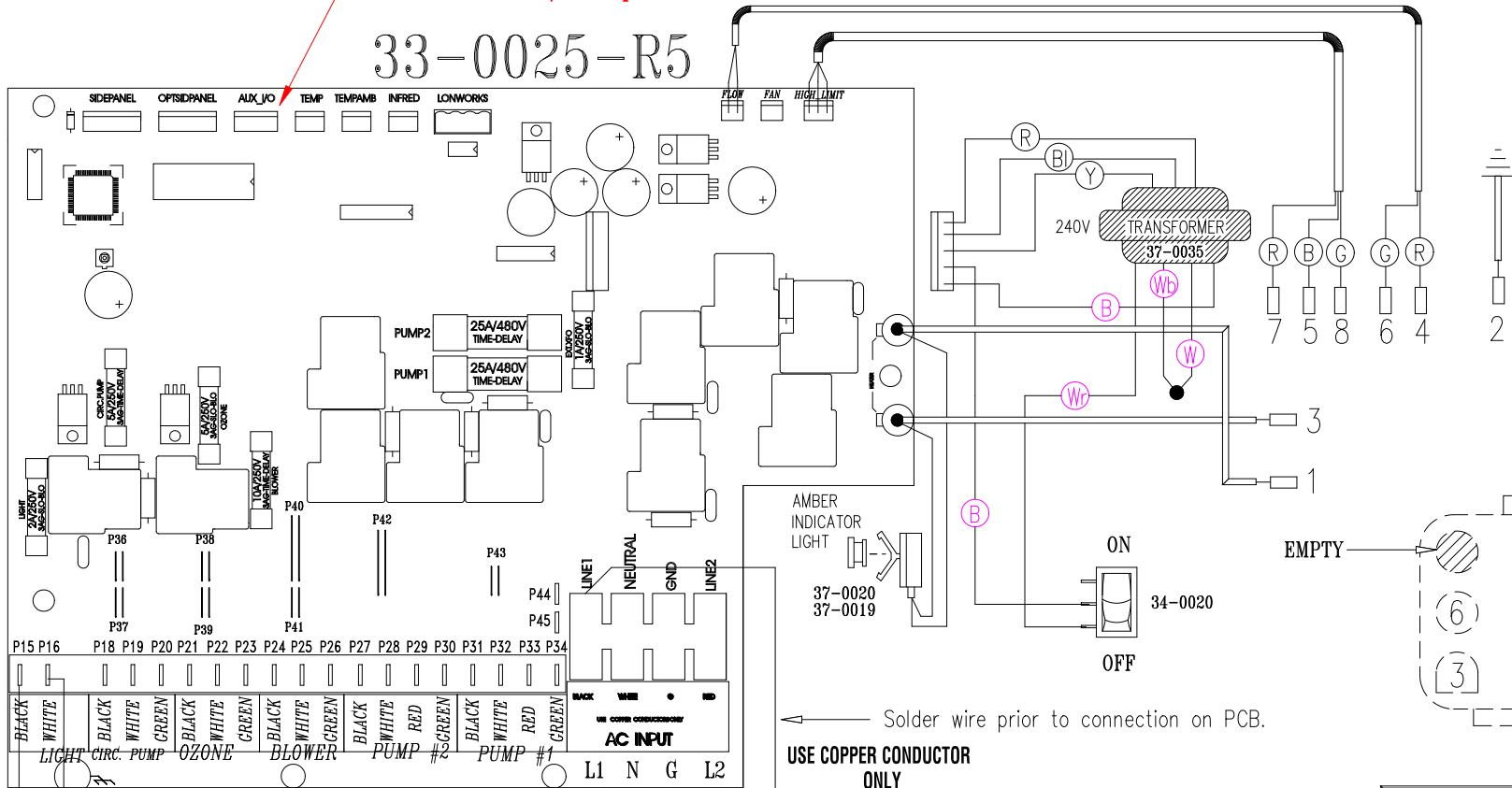
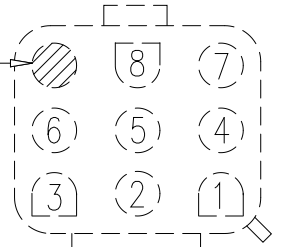


P.C.B. used for White Water units.
Must be F/O Capable

33-0025-R5

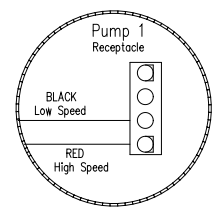
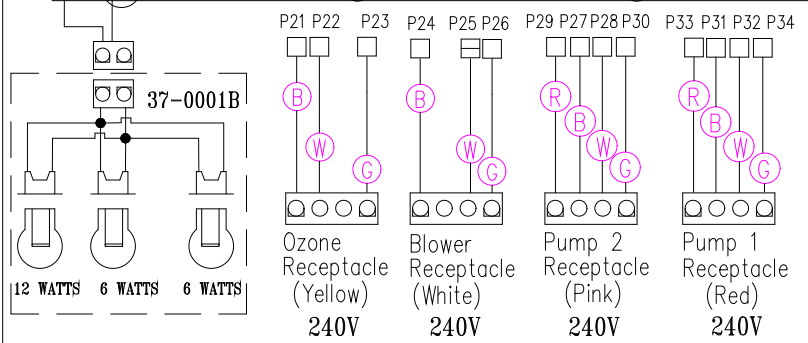


MUST USE:
9 PIN FEMALE
MATE 'N' LOC 2
PLUS CONNECTOR
31-0111-9
31-0113-9

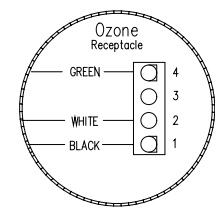


Wire side view from
inside control box.

← Solder wire prior to connection on PCB.
USE COPPER CONDUCTOR ONLY



Pump 1 Pump 2 Receptacle



Ozone Receptacle

LEGEND

	- 1/4" QUICK CONNECT
	- 1/4" QUICK CONNECT PIGGYBACK
	- FORK CONNECTOR
	- RING CONNECTOR
	- SOCKET CONNECTOR
	- PIN CONNECTOR

HYDRO-QUIP
CORONA, CA (909) 273-7575

Manufacture Notes: Please Note Black Wire is low speed on Pumps 1 and 2

Dwg. No. **D222A0-DKOPQY89-CNSZ**
Approved By:

Drawn BH Rev 21
Date 06.15.01
Diagram No. 4607-X

Wire Color Code

B - Black	G - Green
Br - Brown	Bl - Blue
R - Red	V - Violet
O - Orange	W - White
Y - Yellow	Gr - Gray

SHADED COMPONENTS ARE 240V